

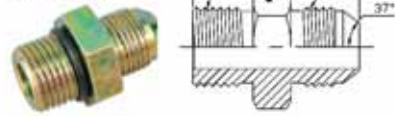
# JIC 37

直型接頭 PT\*TH  
MALE CONNECTOR  
MALE BSPT/MALE JIC37\*



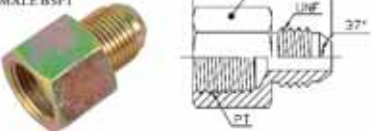
JM-BMT

直型大口徑接頭 FF O-RING\*TH  
STRAIGHT THREAD CONNECTOR  
MALE BSPP O-RING-MALE JIC37\*



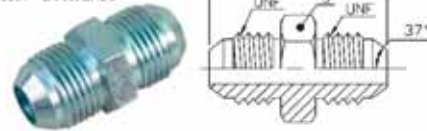
JM-BMO

精細接頭 TH\*PT內  
FEMALE CONNECTOR  
MALE JIC37/FEMALE BSPT



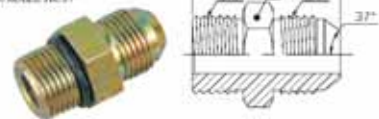
JM-BNT

直型接頭 TH\*TH  
TUBE UNION  
MALE JIC37\*-BOTH ENDS



JM-JM

直型大口徑接頭 TH O-RING\*TH  
STRAIGHT THREAD CONNECTOR  
MALE JIC O-RING/MALE JIC37\*



JM-SMO

TH 大口徑厚  
LARGE HEX WELD CONNECTOR  
MALE JIC37\*WELD TUBE



JM-LVR

直型加長接頭 PT\*TH  
MALE CONNECTOR LONG  
MALE BSPT/MALE JIC37\*



JM-BMTL

直型開頭接頭 TH\*TH  
BULKHEAD UNION CONNECTOR  
MALE JIC37\*-BOTH ENDS



JM-JML

彎型接頭 PT\*TH MALE BSPT/MALE JIC37\*  
MALE ELBOW



JM-BMT 90

彎型外牙接頭 TH\*PT內  
FEMALE ELBOW MALE JIC37/FEMALE BSPT



JM-BNT 90

彎型接頭 厚接\*TH  
WELD ELBOW WELD TUBE/MALE JIC37\*



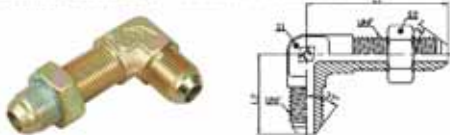
JM-LVR 90

彎型接頭 TH\*TH MALE JIC37\*-BOTH ENDS  
UNION ELBOW



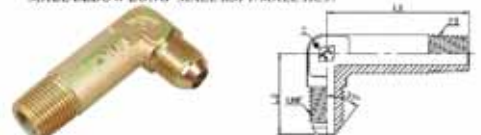
JM-JM 90

彎型開頭 TH\*TH  
BULKHEAD UNION ELBOW MALE JIC37\*-BOTH ENDS



JM-JML 90

彎型加長 PT\*TH  
MALE ELBOW LONG MALE BSPT/MALE JIC37\*



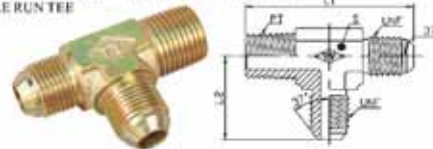
JM-BMTL 90

三通接頭 TH\*PT\*TH MALE JIC37\*MALE BSPT  
MALE BRANCH TEE

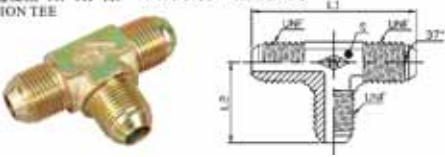
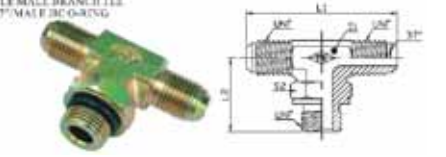
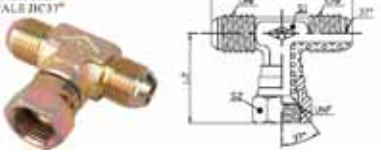
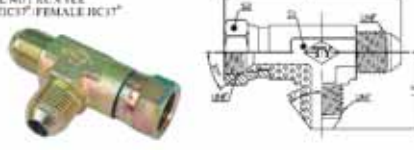

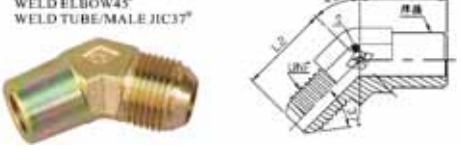
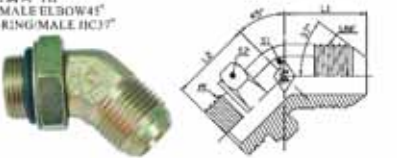
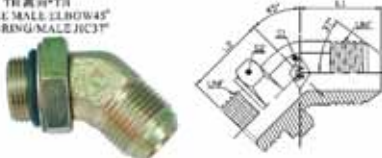

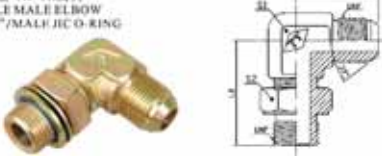
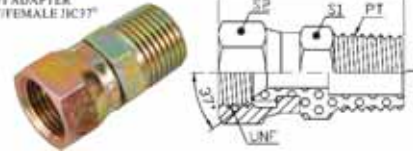
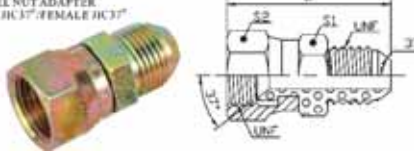
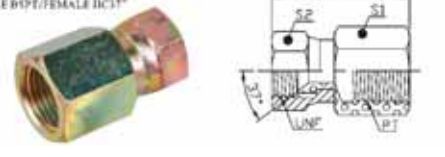


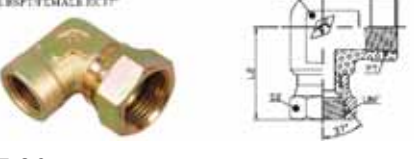


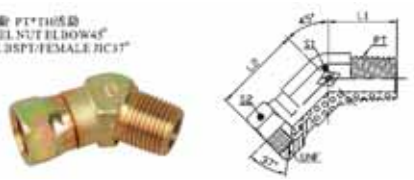
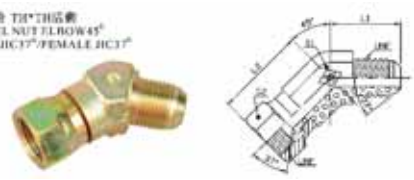
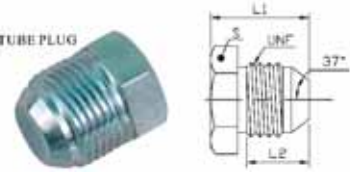
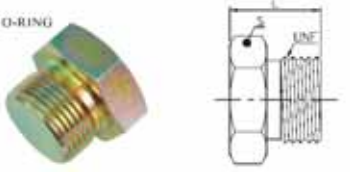
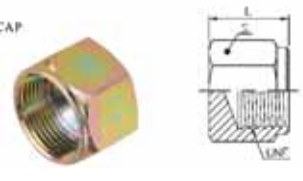
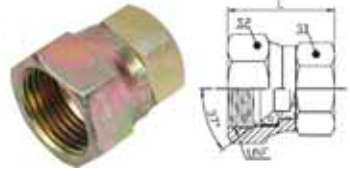
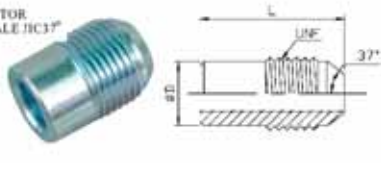
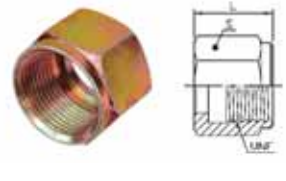
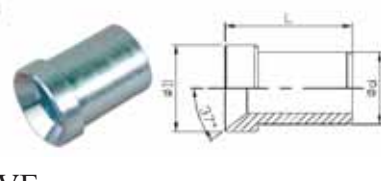
JM-BMT-JM

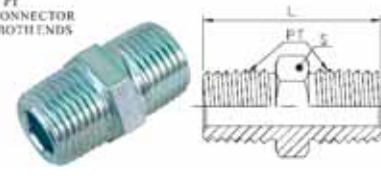
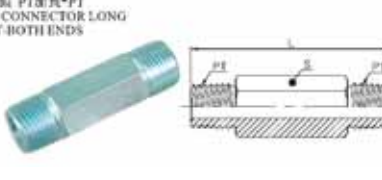
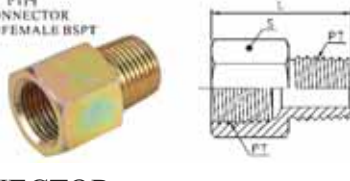
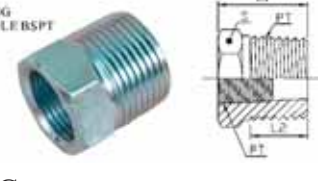
三通接頭 PT\*TH\*TH MALE BSPT/MALE JIC37\*  
MALE RUN TEE

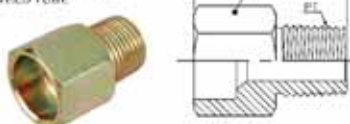


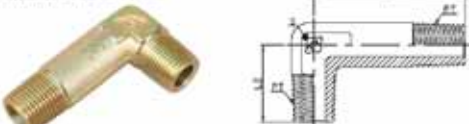
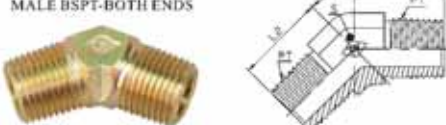
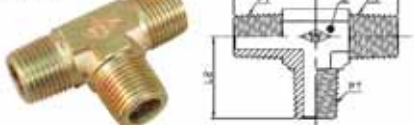
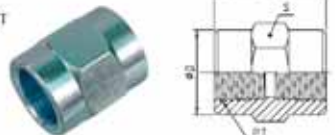

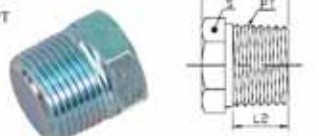
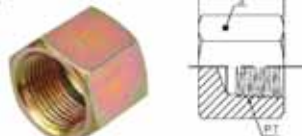


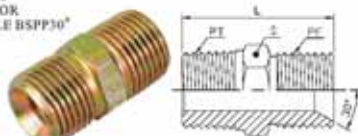
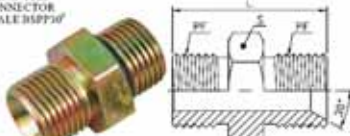
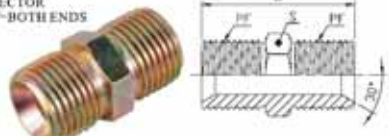
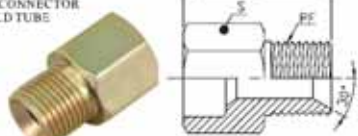
BMT-JM-JM


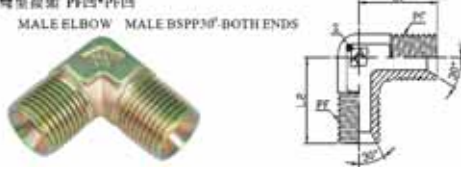
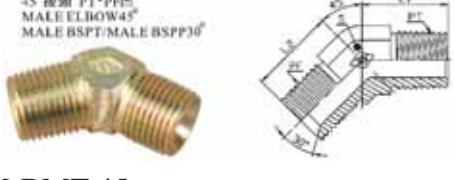
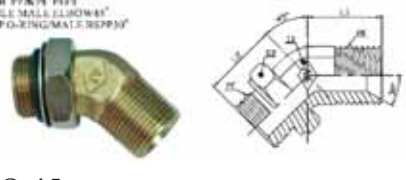
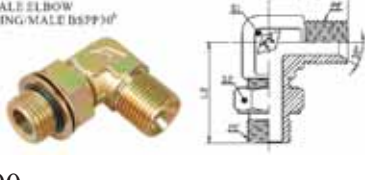
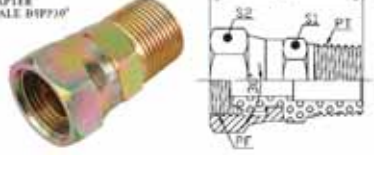
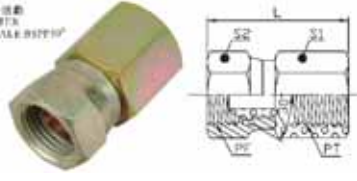
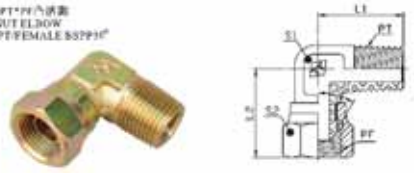
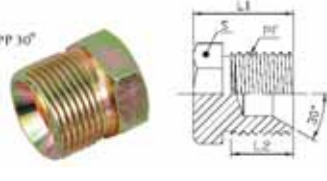
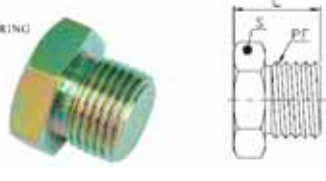
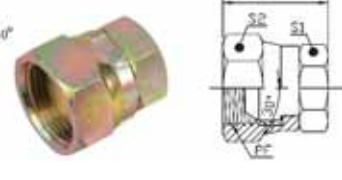

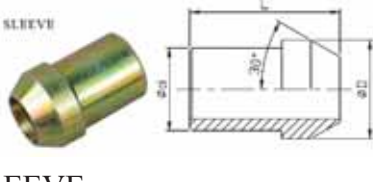
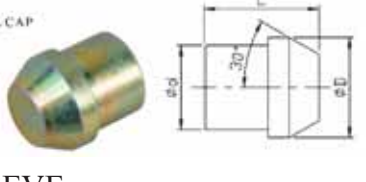
<p>三連接頭 TH*TH*TH MALE JIC37*-ALLE ENDS UNION TEE</p>  <p>JM-JM-JM</p>	<p>三連通和接頭 ADJUSTABLE MALE BRANCH TEE MALE JIC37*/MALE JIC O-RING</p>  <p>JM-SMO-JM</p>
<p>二連通和 活口*TH活口*TH SWIVEL NUT BRANCH TEE MALE JIC37*/FEMALE JIC37*</p>  <p>JM-JS-JM</p>	<p>二連通和 活口*TH*TH活口 SWIVEL NUT RUN TEE MALE JIC37*/FEMALE JIC37*</p>  <p>JS-JM-JM</p>
<p>45°接頭 PT*TH MALE ELBOW JIC45° MALE BSPT/MALE JIC37*</p>  <p>JM-BMT 45</p>	<p>45°接頭和接頭*TH WELD ELBOW45° WELD TUBE/MALE JIC37*</p>  <p>JM-LVR 45</p>
<p>45°萬向接頭 可調向*TH ADJUSTABLE MALE ELBOW45° MALE BSPT O-RING/MALE JIC37*</p>  <p>JM-BMO 45</p>	<p>45°萬向接頭 活口*TH ADJUSTABLE MALE ELBOW45° MALE JIC O-RING/MALE JIC37*</p>  <p>JM-SMO 45</p>
<p>轉型萬向接頭 可調向*TH ADJUSTABLE MALE ELBOW MALE BSPT O-RING/MALE JIC37*</p>  <p>JM-BMO 90</p>	<p>轉型萬向接頭 活口*TH ADJUSTABLE MALE ELBOW MALE JIC37*/MALE JIC O-RING</p>  <p>JM-SMO 90</p>
<p>直型活口 PT*TH活口 SWIVEL NUT ADAPTER MALE BSPT/FEMALE JIC37*</p>  <p>JS-BMT</p>	<p>直型活口 活口*TH活口 SWIVEL NUT ADAPTER MALE JIC37*/FEMALE JIC37*</p>  <p>JS-JM</p>
<p>直型活口 活口*TH活口 SWIVEL NUT ADAPTER FEMALE BSPT/FEMALE JIC37*</p>  <p>JS-BNT</p>	<p>轉型活口 PT*TH活口 SWIVEL NUT ELBOW MALE BSPT/FEMALE JIC37*</p>  <p>JS-BMT 90</p>
<p>轉型活口 活口*TH活口 SWIVEL NUT ELBOW MALE JIC37*/FEMALE JIC37*</p>  <p>JM-JM 90</p>	<p>轉型活口 活口*TH活口 SWIVEL NUT ELBOW FEMALE BSPT/FEMALE JIC37*</p>  <p>JS-BNT 90</p>

<p>45°活動 PT*TH活動 SWIVEL NUT ELBOW 45° MALE BSPT/FEMALE JIC37°</p>  <p>JS-BMT 45</p>	<p>45°活動 TH*TH活動 SWIVEL NUT ELBOW 45° MALE JIC37°/FEMALE JIC37°</p>  <p>JS-JM 45</p>
<p>TH 塞頭 PLUG MALE JIC37° TUBE PLUG</p>  <p>JM PLUG</p>	<p>TH 密封塞頭 MALE PLUG JIC O-RING</p>  <p>SMO PLUG</p>
<p>TH 螺母塞頭 FEMALE TUBE CAP FEMALE JIC37°</p>  <p>JN CAP</p>	<p>TH 活動塞頭 SWIVEL PLUG FEMALE JIC37°</p>  <p>JS PLUG</p>
<p>TH 半螺絲 WELD CONNECTOR WELD TUBE/MALE JIC37°</p>  <p>WJM</p>	<p>TH 螺帽 TUBE NUT FEMALE JIC37°</p>  <p>HN NUT</p>
<p>TH 套焊心 TUBE SLEEVE JIC SLEEVE</p>  <p>HNS SLEEVE</p>	

<b>BSPT</b>	
<p>真空線夾 PT*PT MALE PIPE CONNECTOR MALE BSPT-BOTH ENDS</p>  <p>BMT-BMT</p>	<p>真空加長線夾 PT加長*PT MALE PIPE CONNECTOR LONG MALE BSPT-BOTH ENDS</p>  <p>BMT-BMTL</p>
<p>絲接螺絲 PT*PT內 FEMALE CONNECTOR MALE BSPT/FEMALE BSPT</p>  <p>FM CONNECTOR</p>	<p>卜中 REDUCER BUSHING MALE BSPT/FEMALE BSPT</p>  <p>BH BUSHING</p>

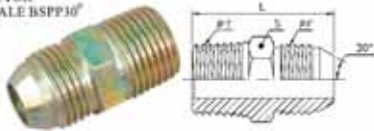
<p>PT 大六角形 LARGE HEX WELD CONNECTOR MALE BSPT/WELD TUBE</p>  <p><b>BMT-LVR</b></p>	<p>彎型接頭 PT*PT MALE BSPT-BOTH ENDS MALE PIPE ELBOW</p>  <p><b>BMT-BMT 90</b></p>
<p>彎內外牙接頭 PT*PT內 STREET ELBOW MALE BSPT/FEMALE BSPT</p>  <p><b>BMT-BNT 90</b></p>	<p>彎型加長 PT*PT MALE BSPT-BOTH ENDS MALE PIPE ELBOW LONG</p>  <p><b>BMT-BMTL 90</b></p>
<p>45°接頭 PT*PT MALE PIPE ELBOW 45° MALE BSPT-BOTH ENDS</p>  <p><b>BMT-BMT 45</b></p>	<p>三通接頭 PT*PT*PT MALE BSPT-ALL ENDS MALE PIPE TEE</p>  <p><b>BMT-BMT-BMT</b></p>
<p>PT 雙內牙 SOCKET FEMALE BSPT</p>  <p><b>BNT-BNT</b></p>	<p>PT 半內牙 WELD-ON HALF COUPLING FEMALE BSPT</p>  <p><b>PES</b></p>
<p>PT 塞頭 PIPE PLUG MALE PLUG BSPT</p>  <p><b>BMT PLUG</b></p>	<p>PT 螺母塞頭 FEMALE PIPE CAP FEMALE BSPT</p>  <p><b>BNT CAP</b></p>

<b>BSPP</b>	
<p>直型接頭 PT*PT內 MALE CONNECTOR MALE BSPT/MALE BSPP30°</p>  <p><b>BM-BMT</b></p>	<p>直帶大六角形螺絲 STRAIGHT THREAD CONNECTOR MALE BSPP 0°-RING/MALE BSPP30°</p>  <p><b>BM-BMO</b></p>
<p>直型接頭 PT*PT內 UNION CONNECTOR MALE BSPP30°-BOTH ENDS</p>  <p><b>BM-BM</b></p>	<p>PT 大六角形螺絲 LARGE HEX WELD CONNECTOR MALE BSPP 10°/WELD TUBE</p>  <p><b>BM-LVR</b></p>

<p>轉型接頭 PT*PF內 MALE ELBOW MALE BSPT/MALE BSPP30°</p>  <p>BM-BMT 90</p>	<p>轉型接頭 PFE*PFE MALE ELBOW MALE BSPP30° BOTH ENDS</p>  <p>BM-BM 90</p>
<p>45°接頭 PT*PF內 MALE ELBOW45° MALE BSPT/MALE BSPP30°</p>  <p>BM-BMT 45</p>	<p>45°調節接頭 PF高內*PF內 ADJUSTABLE MALE ELBOW45° MALE BSPP O-RING/MALE BSPP30°</p>  <p>BM-BMO 45</p>
<p>轉型調節內接頭 PF高內*PF內 ADJUSTABLE MALE ELBOW MALE BSPP O-RING/MALE BSPP30°</p>  <p>BM-BMO 90</p>	<p>編帶活動 PF*PF內活動 SWIVEL NUT ADAPTER MALE BSPT/FEMALE BSPP30°</p>  <p>BS-BMT</p>
<p>編帶活動 PF內*PF內活動 SWIVEL NUT ADAPTER FEMALE BSPT/FEMALE BSPP30°</p>  <p>BS-BNT</p>	<p>轉型活動 PF*PF內活動 SWIVEL NUT ELBOW MALE BSPT/FEMALE BSPP30°</p>  <p>BS-BMT 90</p>
<p>PF 凸塞頭 PF 30° PLUG MALE PLUG BSPP 30°</p>  <p>BM PLUG</p>	<p>PF 凸封塞頭 PF O-RING PLUG MALE PLUG BSPP O-RING</p>  <p>BMO PLUG</p>
<p>PF 凸活動塞頭 SWIVEL PLUG FEMALE BSPP30°</p>  <p>BS PLUG</p>	<p>PF 螺帽 NUT FEMALE BSPP</p>  <p>PSXA NUT</p>
<p>PF 凸套管 SLEEVE MALE BSPP30° SLEEVE</p>  <p>PSWCV SLEEVE</p>	<p>PF 凸內套管 SEAL CAP BSPP30° SEAL CAP</p>  <p>PSWV SLEEVE</p>

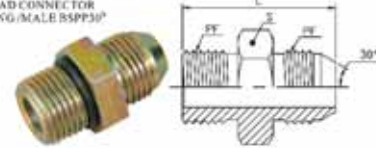
# BMI

直車接頭 PT\*PF凸  
MALE CONNECTOR  
MALE BSPT/MALE BSPP30°



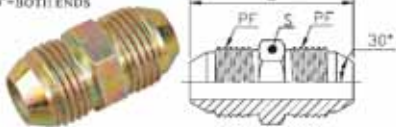
BMI-BMT

直車大六角接頭 PF O-RING\*PF凸  
STRAIGHT THREAD CONNECTOR  
MALE BSPP O-RING/MALE BSPP30°



BMI-BMO

直車接頭 PF凸\*PF凸  
UNION CONNECTOR  
MALE BSPP30°-BOTH ENDS



BMI-BMI

彎車接頭 PT\*PF凸 MALE BSPT/MALE BSPP30°  
MALE ELBOW



BMI-BMT 90

彎車接頭 PF凸\*PF凸  
MALE ELBOW MALE BSPP30°-BOTH ENDS



BMI-BMI 90

彎車加長 PT\*PF凸 MALE BSPT/MALE BSPP30°  
MALE ELBOW LONG



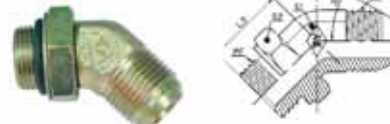
BMI-BMTL 90

45°接頭 PT\*PF凸  
MALE ELBOW 45°  
MALE BSPT/MALE BSPP30°



BMI-BMT 45

45°萬向接頭 PF萬向\*PF凸  
ADJUSTABLE MALE ELBOW 45°  
MALE BSPP O-RING/MALE BSPP30°



BMI-BMO 45

彎車萬向接頭 可調向\*PF凸  
ADJUSTABLE MALE ELBOW  
MALE BSPP O-RING/MALE BSPP30°



BMI-BMO 90

PF凸塞頭  
FF30° PLUG  
MALE PLUG BSPP 30°



BMI PLUG

PF凸活動塞頭  
SWIVEL PLUG  
FEMALE BSPP30°



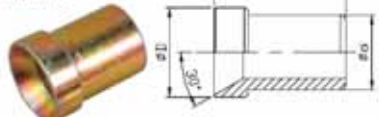
BFS PLUG

PF螺帽  
NUT  
FEMALE BSPP



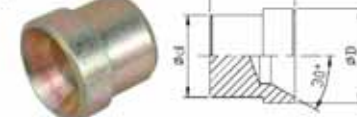
PSXA NUT

PF凸套膠心  
SLEEVE  
MALE BSPP30° SLEEVE



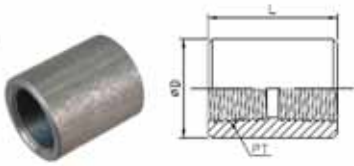

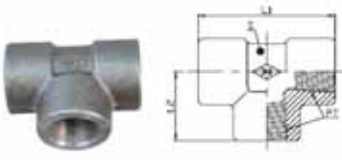
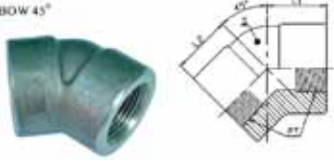
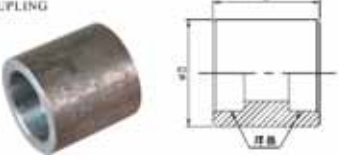
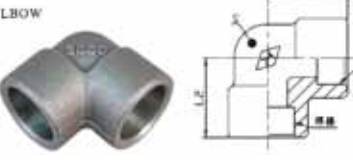


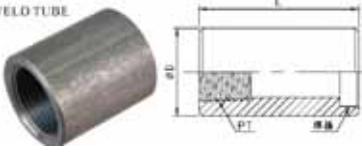
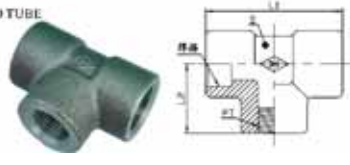
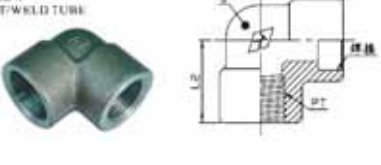


PSLCV SLEEVE

PF凸內塞心  
SEAL CAP  
BSPP30° SEAL CAP



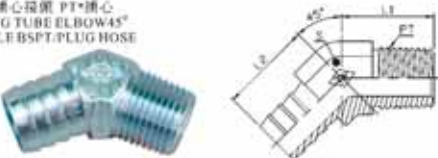
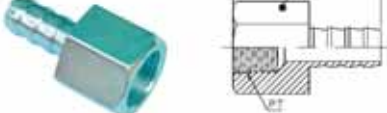


PSLV SLEEVE

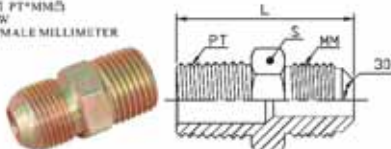
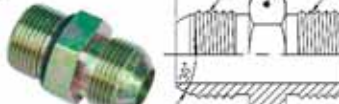
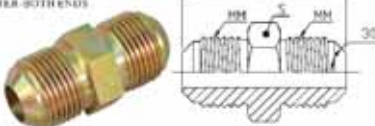



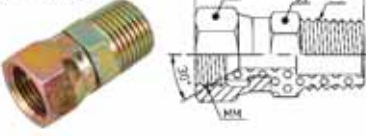
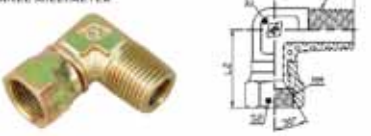
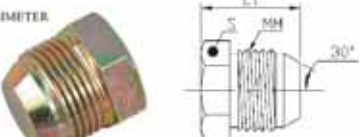
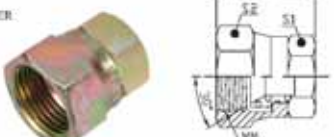
# BSPT 3000PSI

<p>PT 雙內牙 (圓) SOCKET FEMALE BSPT</p>  <p>PPEM</p>	<p>高壓內牙彎頭 FEMALE PIPE ELBOW FEMALE BSPT</p>  <p>BNT-BNT 90</p>
<p>高壓三通內牙 FEMALE PIPE TEE FEMALE BSPT</p>  <p>BNT-BNT-BNT 90</p>	<p>高壓45°內牙 FEMALE PIPE ELBOW 45° FEMALE BSPT</p>  <p>BNT-BNT 45</p>
<p>高壓對齊直接管 WELD TUBE COUPLING WELD TUBE</p>  <p>PPEM2C</p>	<p>高壓對齊彎頭 WELD TUBE ELBOW</p>  <p>PSL</p>
<p>高壓對齊三通 WELD TUBE TEE</p>  <p>PST</p>	<p>高壓45°對齊 WELD TUBE ELBOW 45°</p>  <p>PSF</p>
<p>高壓內牙*對齊直接管 COUPLING FEMALE BSPT/WELD TUBE</p>  <p>PPEC</p>	<p>高壓內牙*對齊三通 FEMALE TEE FEMALE BSPT/WELD TUBE</p>  <p>CSC</p>
<p>高壓內牙*對齊彎頭 FEMALE ELBOW FEMALE BSPT/WELD TUBE</p>  <p>JCSU</p>	<p>高壓內牙直任 UNION PIPE COUPLING FEMALE BSPT</p>  <p>UB</p>
<p>高壓對齊直任 UNION WELD TUBE COUPLING WELD TUBE</p>  <p>UBC</p>	


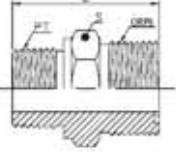

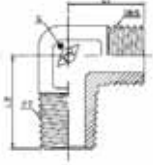

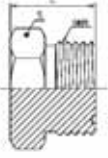
# HOSE NIPPLE


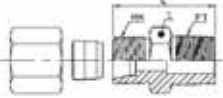

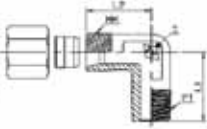



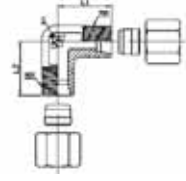

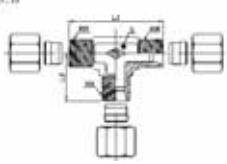

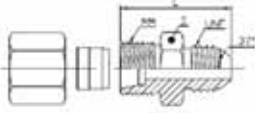

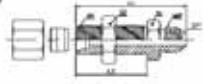

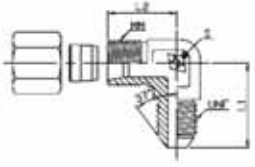

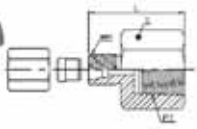

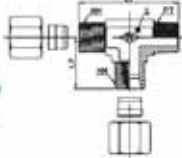
<p>直型插心接頭 PT*插心 PLUG TUBE CONNECTOR MALE BSPT/PLUG HOSE</p>  <p>PN-S</p>	<p>彎型插心 PT*插心 PLUG TUBE ELBOW MALE BSPT/PLUG HOSE</p>  <p>PN-L</p>
<p>45°插心接頭 PT*插心 PLUG TUBE ELBOW45° MALE BSPT/PLUG HOSE</p>  <p>PN-F</p>	<p>直型插心 PT向母*插心 PLUG TUBE CONNECTOR FEMALE BSPT/PLUG HOSE</p>  <p>PNS</p>

# KOMUTSU

<p>直型米厘接頭 PT*MM公 MALE ELBOW MALE BSPT/MALE MILLIMETER</p>  <p>KM-BMT</p>	<p>直型米厘接頭 MM O-RING*MM公 UNION CONNECTOR MALE MILLIMETER O-RING/ MALE MILLIMETER</p>  <p>KM-KMO</p>
<p>直型米厘接頭 MM公*MM公 UNION CONNECTOR MALE MILLIMETER BOTH ENDS</p>  <p>KM-KM</p>	<p>彎型米厘接頭 PT*MM公 MALE ELBOW MALE BSPT/MALE MILLIMETER</p>  <p>KM-BMT 90</p>
<p>彎型米厘接頭 MM公向*MM公 ADJUSTABLE MALE ELBOW MALE MILLIMETER O-RING/ MALE MILLIMETER</p>  <p>KM-KMO 90</p>	<p>45°直內接頭 MM公向*MM公 ADJUSTABLE MALE ELBOW45° MALE MILLIMETER O-RING/ MALE MILLIMETER</p>  <p>KM-KMO 45</p>
<p>直型活動 PT*MM活動 SWIVEL NUT ADAPTER MALE BSPT/FEMALE MILLIMETER</p>  <p>KS-BMT</p>	<p>彎型活動 PT*MM活動 SWIVEL NUT ELBOW MALE BSPT/FEMALE MILLIMETER</p>  <p>KS-BMT 90</p>
<p>直型公接頭 PLUG MALE PLUG MILLIMETER</p>  <p>KM PLUG</p>	<p>直型活動接頭 SWIVEL PLUG FEMALE MILLIMETER</p>  <p>KS PLUG</p>



<b>ORM</b>	
<p>直徑接頭 PT*ORFS型 MALE CONNECTOR MALE BSPT/MALE ORFS</p>  	<p>彎型接頭 PT*ORFS 型 MALE ELBOW MALE BSPT/MALE ORFS</p>  
ORM-BMT	ORM-BMT 90
<p>ORFS 插封塞頭 MALE PLUG ORFS</p>  	
ORM PLUG	

<b>ข้อต่อตาไก่</b>	
<p>鋼管直型接頭 O.D*PT MALE CONNECTOR TUBE O. D/MALE BSPT</p>  	<p>彎型鋼管接頭 O.D*PT MALE ELBOW TUBE O. D/MALE BSPT</p>  
KCT	KLN
<p>表面無牙鋼管接頭 O.D*O.D FLARELESS UNION TUBE O. D-BOTH ENDS</p>  	<p>彎型無牙鋼管接頭 O.D*O.D UNION ELBOW TUBE O. D-BOTH ENDS</p>  
KUA	KLA
<p>二通無牙鋼管 O.D*O.D*O.D UNION TEE TUBE O. D-ALL ENDS</p>  	<p>鋼管直型接頭 O.D*TH MALE CONNECTOR TUBE O. D/MALE JIC37</p>  
KTA	KUC
<p>直徑鋼管接頭 O. D與鋼*TH BULKHEAD UNION TUBE O. D/MALE JIC37</p>  	<p>彎型鋼管接頭 O. D*TH MALE ELBOW TUBE O. D/MALE JIC37</p>  
KUE	KLD
<p>結尾鋼管接頭 PT內牙*O.D FEMALE CONNECTOR FEMALE BSPT/TUBE O.D</p>  	<p>三通鋼管接頭 PT*O.D*O.D MALE RUN TEE TUBE O. D/MALE BSPT</p>  
KGA	KTK

三級鋼管接頭 O. D\*PT\*O. D  
MALE BRANCH TEE  
TUBE O. D/MALE BSPT

KTN

彎型加長鋼管接頭 O. D\*PT加長  
MALE ELBOW LONG  
TUBE O. D/MALE BSPT

KLL

直型加長鋼管接頭 O. D\*PT加長  
MALE CONNECTOR LONG  
TUBE O. D/MALE BSPT

KUT

鋼管凸塞心  
SEAL CAP  
MALE FLARELESS

ENWL

鋼管心套  
SLEEVE  
FLARELESS SLEEVE

KKD

鋼管螺帽  
NUT  
FLARELESS NUT

KKN

承壓密封塞環  
MALE PLUG MILLIMETER O-RING

AXO PLUG

鋼管凸塞面  
FLARELESS PLUG  
MALE FLARELESS

AXNWL PLUG